

# LM3151/LM3152/LM3153 SIMPLE SWITCHER® CONTROLLER, 42V Synchronous Step-Down

## General Description

The LM3151/2/3 SIMPLE SWITCHER® Controller is an easy to use and simplified step down power controller capable of providing up to 12A of output current in a typical application. Operating with an input voltage range of 6V-42V, the LM3151/2/3 features a fixed output voltage of 3.3V, and features switching frequencies of 250 kHz, 500 kHz, and 750 kHz. The synchronous architecture provides for highly efficient designs. The LM3151/2/3 controller employs a Constant On-Time (COT) architecture with a proprietary Emulated Ripple Mode (ERM) control that allows for the use of low ESR output capacitors, which reduces overall solution size and output voltage ripple. The Constant On-Time (COT) regulation architecture allows for fast transient response and requires no loop compensation, which reduces external component count and reduces design complexity.

Fault protection features such as thermal shutdown, under-voltage lockout, over-voltage protection, short-circuit protection, current limit, and output voltage pre-bias startup allow for a reliable and robust solution.

The LM3151/2/3 SIMPLE SWITCHER® concept provides for an easy to use complete design using a minimum number of external components and National's WEBENCH® online design tool. WEBENCH® provides design support for every step of the design process and includes features such as external component calculation with a new MOSFET selector, electrical simulation, thermal simulation, and Build-It boards for prototyping.

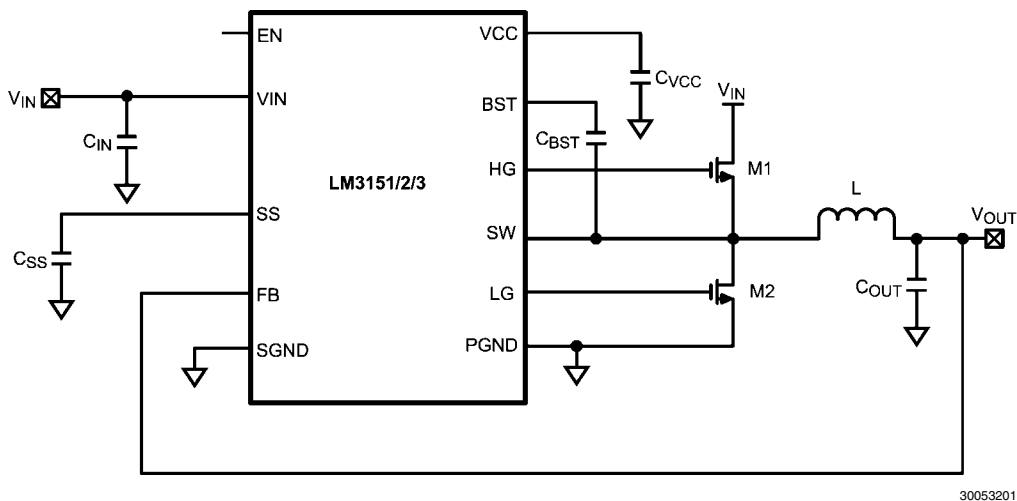
## Features

- PowerWise® step-down controller
- 6V to 42V Wide input voltage range
- Fixed output voltage of 3.3V
- Fixed switching frequencies of 250 kHz/500 kHz/750 kHz
- No loop compensation required
- Fully WEBENCH® enabled
- Low external component count
- Constant On-Time control
- Ultra-Fast transient response
- Stable with low ESR capacitors
- Output voltage pre-bias startup
- Valley current limit
- Programmable soft-start

## Typical Applications

- Telecom
- Networking Equipment
- Routers
- Security Surveillance
- Power Modules

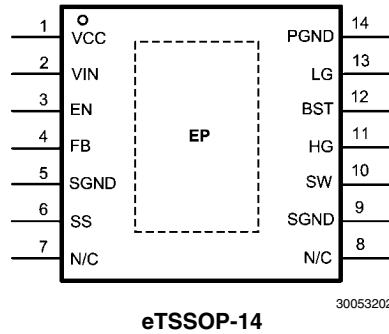
## Typical Application



30053201

SIMPLE SWITCHER® is a registered trademark of National Semiconductor Corporation

## Connection Diagram



## Pin Descriptions

Pin	Name	Description	Function
1	VCC	Supply Voltage for FET Drivers	Nominally regulated to 5.95V. Connect a 1 $\mu$ F to 2.2 $\mu$ F decoupling capacitor from this pin to ground.
2	VIN	Input Supply Voltage	Supply pin to the device. Nominal input range is 6V to 42V. See ordering information for Vin limitations.
3	EN	Enable	To enable the IC apply a logic high signal to this pin greater than 1.26V typical or leave floating. To disable the part, ground the EN pin.
4	FB	Feedback	Internally connected to the resistor divider network which sets the fixed output voltage. This pin also senses the output voltage faults such a over-voltage and short circuit conditions.
5,9	SGND	Signal Ground	Ground for all internal bias and reference circuitry. Should be connected to PGND at a single point.
6	SS	Soft-Start	An internal 7.7 $\mu$ A current source charges an external capacitor to provide the soft-start function.
7,8	N/C	Not Connected	Internally not electrically connected. These pins may be left unconnected or connected to ground.
10	SW	Switch Node	Switch pin of controller and high-gate driver lower supply rail. A boost capacitor is also connected between this pin and BST pin
11	HG	High-Side Gate Drive	Gate drive signal to the high-side NMOS switch. The high-side gate driver voltage is supplied by the differential voltage between the BST pin and SW pin.
12	BST	Connection for Bootstrap Capacitor	High-gate driver upper supply rail. Connect a 0.33 $\mu$ F-0.47 $\mu$ F capacitor from SW pin to this pin. An internal diode charges the capacitor during the high-side switch off-time. Do not connect to an external supply rail.
13	LG	Low-Side Gate Drive	Gate drive signal to the low-side NMOS switch. The low-side gate driver voltage is supplied by VCC.
14	PGND	Power Ground	Synchronous rectifier MOSFET source connection. Tie to power ground plane. Should be tied to SGND at a single point.
EP	EP	Exposed Pad	Exposed die attach pad should be connected directly to SGND. Also used to help dissipate heat out of the IC.

## Ordering Information

Order Number	Package Type	NSC Package Drawing	Input Voltage Range	Output Voltage	Switching Frequency	Supplied As	
LM3151MH-3.3	eTSSOP-14	MXA14A	6V - 42V	3.3V	250KHz	94 Units per Anti-Static Tube	
LM3151MHE-3.3						250 Units in Tape and Reel	
LM3151MHX-3.3						2500 Units in Tape and Reel	
LM3152MH-3.3	eTSSOP-14	MXA14A	6V - 33V	3.3V	500KHz	94 Units per Anti-Static Tube	
LM3152MHE-3.3						250 Units in Tape and Reel	
LM3152MHX-3.3						2500 Units in Tape and Reel	
LM3153MH-3.3	eTSSOP-14	MXA14A	8V - 18V	3.3V	750KHz	94 Units per Anti-Static Tube	
LM3153MHE-3.3						250 Units in Tape and Reel	
LM3153MHX-3.3						2500 Units in Tape and Reel	
LM3151MH-2.5	eTSSOP-14	MXA14A	*	2.5V	250KHz	*Coming Soon	
LM3151MHE-2.5			*				500KHz
LM3151MHX-2.5							
LM3152MH-2.5					*		
LM3152MHE-2.5			750KHz				
LM3152MHX-2.5							500KHz
LM3153MH-2.5					*		
LM3153MHE-2.5			500KHz				
LM3153MHX-2.5							750KHz
LM3151MH-5.0	eTSSOP-14	MXA14A		*	5.0V	250KHz	
LM3151MHE-5.0			*	500KHz			
LM3151MHX-5.0							750KHz
LM3152MH-5.0						*	
LM3152MHE-5.0			750KHz				
LM3152MHX-5.0				500KHz			
LM3153MH-5.0						*	750KHz
LM3153MHE-5.0			500KHz				
LM3153MHX-5.0				750KHz			

**Absolute Maximum Ratings** (Note 1)

If Military/Aerospace specified devices are required, please contact the National Semiconductor Sales Office/ Distributors for availability and specifications.

V <sub>IN</sub> to GND	-0.3V to 47V
SW to GND	-3V to 47V
BST to SW	-0.3V to 7V
BST to GND	-0.3V to 52V

All Other Inputs to GND	-0.3V to 7V
ESD Rating (Note 2)	2kV
Storage Temperature Range	-65°C to +150°C

**Operating Ratings** (Note 1)

V <sub>IN</sub>	6V to 42V
Junction Temperature Range (T <sub>J</sub> )	-40°C to +125°C
EN	0V to 5V

**Electrical Characteristics** Limits in standard type are for T<sub>J</sub> = 25°C only; limits in **boldface type** apply over the junction temperature (T<sub>J</sub>) range of -40°C to +125°C. Minimum and Maximum limits are guaranteed through test, design, or statistical correlation. Typical values represent the most likely parametric norm at T<sub>J</sub> = 25°C, and are provided for reference purposes only. Unless otherwise stated the following conditions apply: V<sub>IN</sub> = 18V.

Symbol	Parameter	Conditions	Min	Typ	Max	Units
<b>Start-Up Regulator, VCC</b>						
V <sub>CC</sub>		C <sub>VCC</sub> = 1 μF, 0 mA to 40 mA	<b>5.65</b>	5.95	<b>6.25</b>	V
V <sub>IN</sub> - V <sub>CC</sub>	V <sub>IN</sub> - V <sub>CC</sub> Dropout Voltage	I <sub>VCC</sub> = 2 mA, V <sub>in</sub> = 5.5V		40		mV
		I <sub>VCC</sub> = 30 mA, V <sub>in</sub> = 5.5V		330		
I <sub>VCC</sub>	V <sub>CC</sub> Current Limit (Note 3)	V <sub>CC</sub> = 0V	<b>65</b>	100		mA
V <sub>CC</sub> UVLO	V <sub>CC</sub> Under-voltage Lockout threshold (UVLO)	V <sub>CC</sub> Increasing	<b>4.75</b>	5.1	<b>5.40</b>	V
V <sub>CC</sub> UVLO-HYS	V <sub>CC</sub> UVLO Hysteresis	V <sub>CC</sub> Decreasing		475		mV
t <sub>CC</sub> UVLO-D	V <sub>CC</sub> UVLO Filter Delay			3		μs
I <sub>IN</sub>	Input Operating Current	No Switching		3.6	<b>5.2</b>	mA
I <sub>IN</sub> -SD	Input Operating Current, Device Shutdown	V <sub>EN</sub> = 0V		32	<b>55</b>	μA
<b>GATE Drive</b>						
I <sub>Q</sub> -BST	Boost Pin Leakage	V <sub>BST</sub> - V <sub>SW</sub> = 6V		2		nA
R <sub>DS</sub> -HG-Pull-Up	HG Drive Pull-Up On-Resistance	I <sub>HG</sub> Source = 200 mA		5		Ω
R <sub>DS</sub> -HG-Pull-Down	HG Drive Pull-Down On-Resistance	I <sub>HG</sub> Sink = 200 mA		3.4		Ω
R <sub>DS</sub> -LG-Pull-Up	LG Drive Pull-Up On-Resistance	I <sub>LG</sub> Source = 200 mA		3.4		Ω
R <sub>DS</sub> -LG-Pull-Down	LG Drive Pull-Down On-Resistance	I <sub>LG</sub> Sink = 200 mA		2		Ω
<b>Soft-Start</b>						
I <sub>SS</sub>	SS Pin Source Current	V <sub>SS</sub> = 0V	<b>5.9</b>	7.7	<b>9.5</b>	mA
I <sub>SS</sub> -DIS	SS Pin Discharge Current			200		μA
<b>Current Limit</b>						
V <sub>CL</sub>	Current Limit Voltage Threshold		175	200	225	mV
<b>ON/OFF Timer</b>						
t <sub>ON</sub> -MIN	ON Timer Minimum Pulse Width			200		ns
t <sub>OFF</sub>	OFF Timer Minimum Pulse Width			370	<b>525</b>	ns
<b>Enable Input</b>						
V <sub>EN</sub>	EN Pin Input Threshold Trip Point	V <sub>EN</sub> Rising	<b>1.14</b>	1.20	<b>1.26</b>	V
V <sub>EN</sub> -HYS	EN Pin threshold Hysteresis	V <sub>EN</sub> Falling		120		mV

Symbol	Parameter	Conditions	Min	Typ	Max	Units
<b>Boost Diode</b>						
$V_f$	Forward Voltage	$I_{BST} = 2 \text{ mA}$		0.7		V
		$I_{BST} = 30 \text{ mA}$		1		V
<b>Thermal Characteristics</b>						
$T_{SD}$	Thermal Shutdown	Rising		165		°C
	Thermal Shutdown Hysteresis	Falling		15		°C
$\theta_{JA}$	Junction to Ambient	4 Layer JEDEC Printed Circuit Board, 9 Vias, No Air Flow		40		°C/W
		2 Layer JEDEC Printed Circuit Board. No Air Flow		140		
$\theta_{JC}$	Junction to Case	No Air Flow		4		°C/W

### 3.3V Output Option

Symbol	Parameter	Conditions	Min	Typ	Max	Units
$V_{OUT}$	Output Voltage		<b>3.234</b>	3.3	<b>3.366</b>	V
$V_{OUT-OV}$	Output Voltage Over-Voltage Threshold		<b>3.83</b>	4.00	<b>4.17</b>	V
$V_{IN-MAX}$	Maximum Input Voltage (Note 4)	LM3151-3.3		42		V
		LM3152-3.3		33		
		LM3153-3.3		18		
$V_{IN-MIN}$	Minimum Input Voltage (Note 4)	LM3151-3.3		6		V
		LM3152-3.3		6		
		LM3153-3.3		8		
$f_S$	Switching Frequency	LM3151-3.3, $R_{ON} = 115 \text{ k}\Omega$		250		kHz
		LM3152-3.3, $R_{ON} = 51 \text{ k}\Omega$		500		
		LM3153-3.3, $R_{ON} = 32 \text{ k}\Omega$		750		
$t_{ON}$	On-Time	LM3151-3.3, $R_{ON} = 115 \text{ k}\Omega$		730		ns
		LM3152-3.3, $R_{ON} = 51 \text{ k}\Omega$		400		
		LM3153-3.3, $R_{ON} = 32 \text{ k}\Omega$		330		
$R_{FB}$	FB Resistance to Ground			566		k $\Omega$

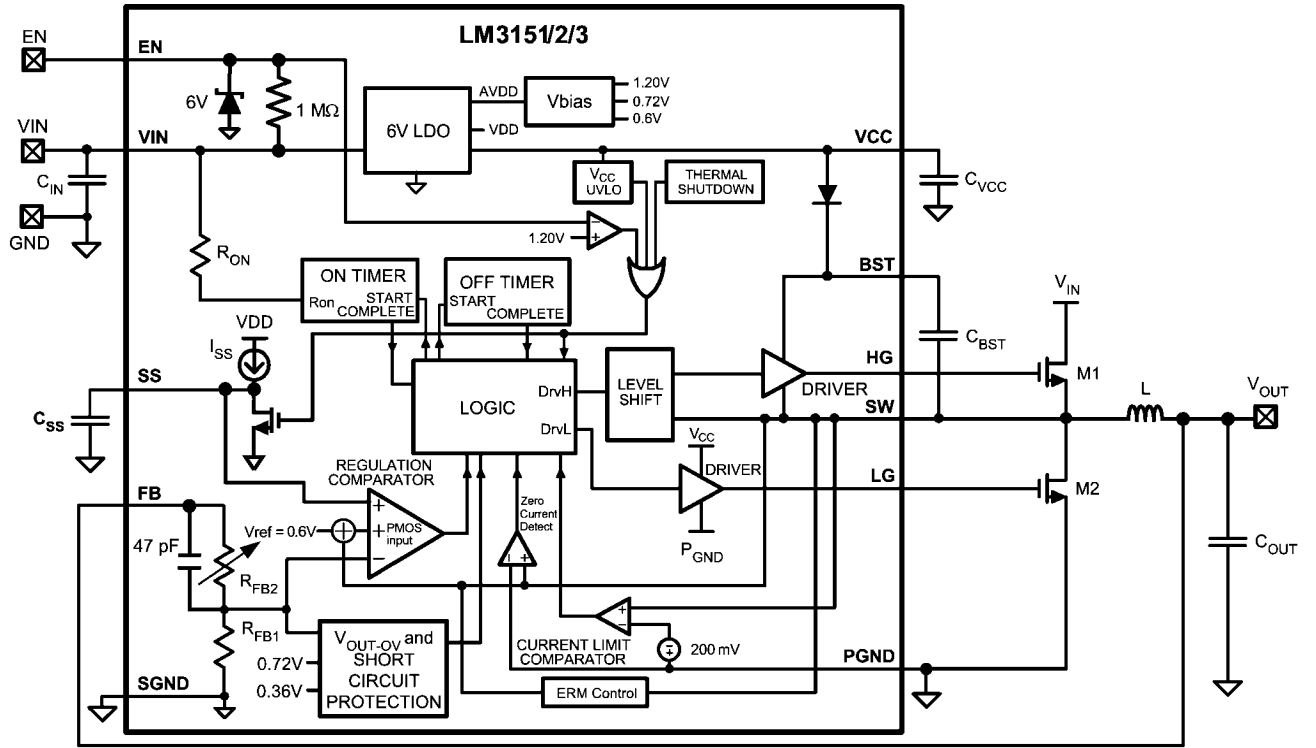
**Note 1:** Absolute Maximum Ratings indicate limits beyond which damage to the device may occur. Operating Ratings indicate conditions for which the device is intended to be functional, but does not guarantee specific performance limits. For guaranteed specifications and conditions, see the Electrical Characteristics.

**Note 2:** The human body model is a 100 pF capacitor discharged through a 1.5 k $\Omega$  resistor into each pin. Test Method is per JESD-22-A114.

**Note 3:** VCC provides self bias for the internal gate drive and control circuits. Device thermal limitations limit external loading.

**Note 4:** The input voltage range is dependent on minimum on-time, off-time, and therefore frequency, and is also affected by optimized MOSFET selection.

# Simplified Block Diagram

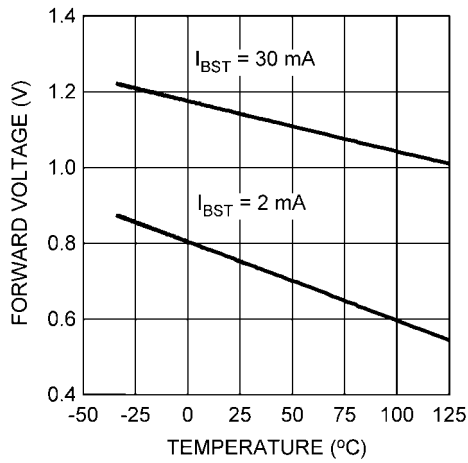


$$R_{FB} = R_{FB1} + R_{FB2}$$

30053203

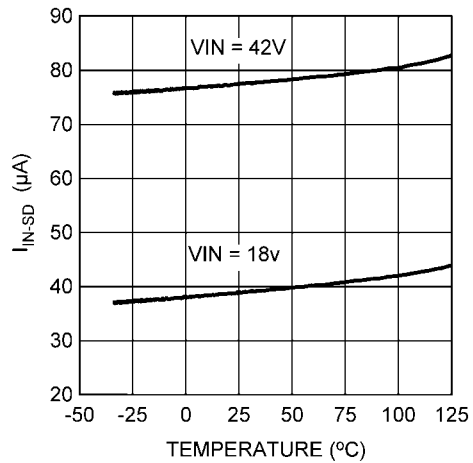
# Typical Performance Characteristics

**Boost Diode Forward Voltage vs. Temperature**



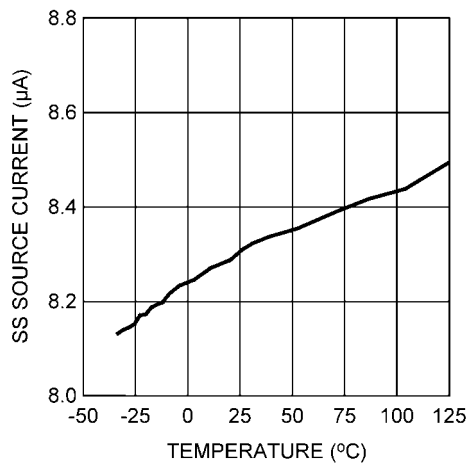
30053240

**Quiescent Current vs. Temperature**



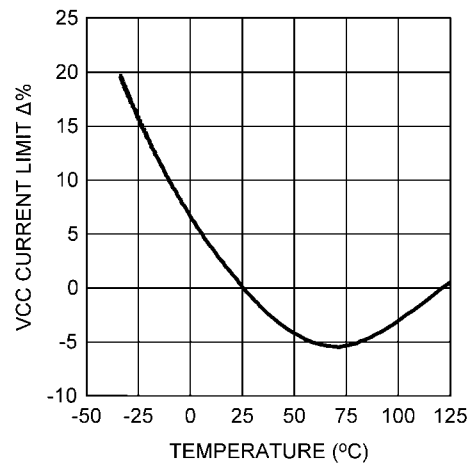
30053242

**Soft-Start Current vs. Temperature**



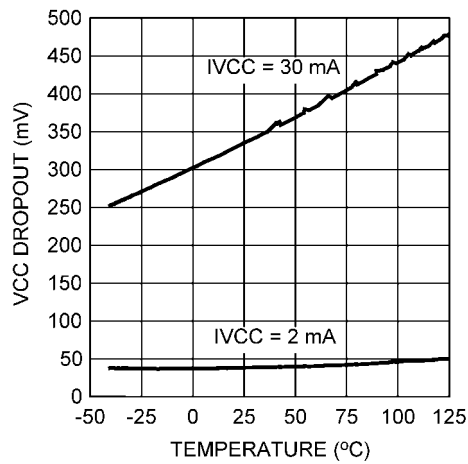
30053243

**VCC Current Limit vs. Temperature**



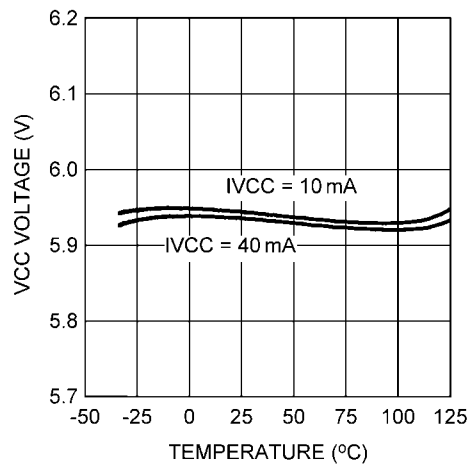
30053247

**VCC Dropout vs. Temperature**

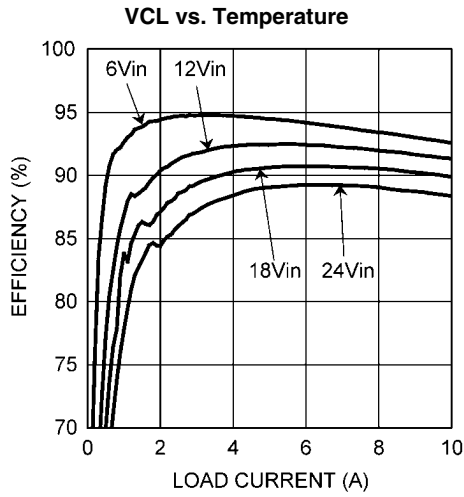


30053248

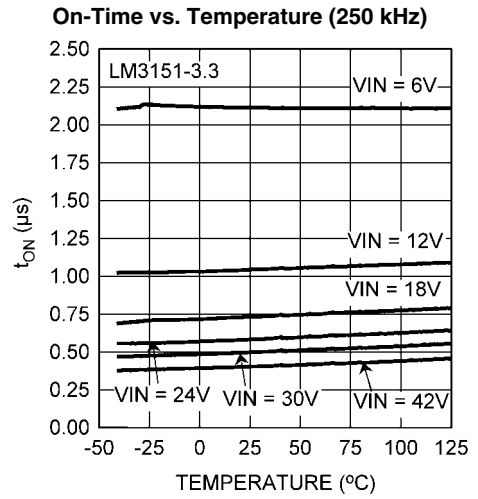
**VCC vs. Temperature**



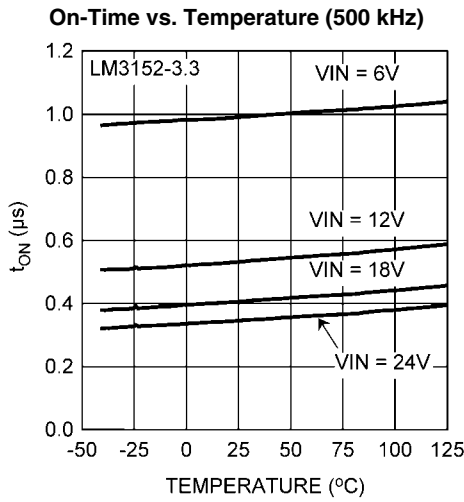
30053249



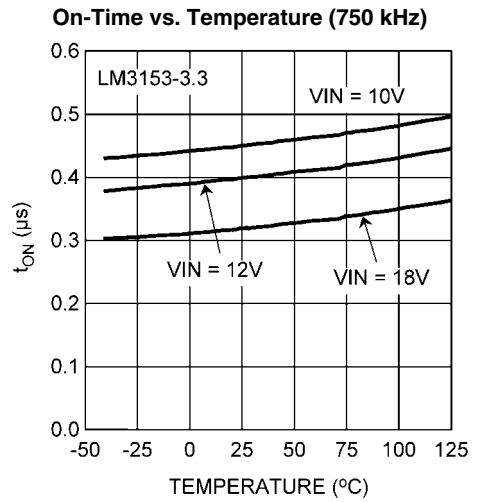
30053282



30053283



30053284



30053286



## Theory of Operation

The LM3151/2/3 synchronous step-down SIMPLE SWITCHER® Controller employs a Constant On-Time (COT) architecture which is a derivative of the hysteretic control scheme. COT relies on a fixed switch on-time to regulate the output. The on-time of the high-side switch is set internally by resistor  $R_{ON}$ . The LM3151/2/3 automatically adjusts the on-time inversely with the input voltage to maintain a constant frequency. Assuming an ideal system and  $V_{IN}$  is much greater than 1V, the following approximations can be made:

The on-time,  $t_{ON}$ :

$$t_{ON} = \frac{K \times R_{ON}}{V_{IN}}$$

Where  $K = 100 \text{ pC}$ , and  $R_{ON}$  is specified in the electrical characteristics table.

Control is based on a comparator and the on-timer, with the output voltage feedback (FB) attenuated and then compared with an internal reference of 0.6V. If the attenuated FB level is below the reference, the high-side switch is turned on for a fixed time,  $t_{ON}$ , which is determined by the input voltage and the internal resistor,  $R_{ON}$ . Following this on-time, the switch remains off for a minimum off-time,  $t_{OFF}$ , as specified in the Electrical Characteristics table or until the attenuated FB voltage is less than 0.6V. This switching cycle will continue while maintaining regulation. During continuous conduction mode (CCM), the switching frequency depends only on duty cycle and on-time. The duty cycle can be calculated as:

$$D = \frac{t_{ON}}{t_{ON} + t_{OFF}} = t_{ON} \times f_s \approx \frac{V_{OUT}}{V_{IN}}$$

Where the switching frequency of a COT regulator is:

$$f_s = \frac{V_{OUT}}{K \times R_{ON}}$$

Typical COT hysteretic controllers need a significant amount of output capacitor ESR to maintain a minimum amount of ripple at the FB pin in order to switch properly and maintain efficient regulation. The LM3151/2/3 however utilizes proprietary, Emulated Ripple Mode Control Scheme (ERM) that allows the use of ceramic output capacitors without additional equivalent series resistance (ESR) compensation. Not only does this reduce the need for output capacitor ESR, but also significantly reduces the amount of output voltage ripple seen in a typical hysteretic control scheme. The output ripple voltage can become so low that it is comparable to voltage-mode and current-mode control schemes.

## Regulation Comparator

The output voltage is sampled through the FB pin and then divided down by two internal resistors and compared to the internal reference voltage of 0.6V by the error comparator. In normal operation, an on-time period is initiated when the sampled output voltage at the input of the error comparator falls below 0.6V. The high-side switch stays on for the specified on-time, causing the sampled voltage on the error comparator input to rise above 0.6V. After the on-time period, the high-side switch stays off for the greater of the following:

- 1) Minimum off time as specified in the electrical characteristics table
- 2) The error comparator sampled voltage falls below 0.6V

## Over-Voltage Comparator

The over-voltage comparator is provided to protect the output from over-voltage conditions due to sudden input line voltage changes or output loading changes. The over-voltage comparator continuously monitors the attenuated FB voltage versus a 0.72V internal reference. If the voltage at FB rises above 0.72V the on-time pulse is immediately terminated. This condition can occur if the input or the output load changes suddenly. Once the over-voltage protection is activated, the HG and LG signals remain off until the attenuated FB voltage falls below 0.72V.

## Current Limit

Current limit detection occurs during the off-time by monitoring the current through the low-side switch. If during the off-time the current in the low-side switch exceeds the user defined current limit value, the next on-time cycle is immediately terminated. Current sensing is achieved by comparing the voltage across the low-side switch against an internal reference value,  $V_{CL}$ , of 200 mV. If the voltage across the low-side switch exceeds 200 mV, the current limit comparator will trigger logic to terminate the next on-time cycle. The current limit  $I_{CL}$  can be determined as follows:

$$V_{CL}(T_j) = V_{CL} \times [1 + 3.3 \times 10^{-3} \times (T_j - 27)]$$

$$I_{CL}(T_j) = \frac{V_{CL}(T_j)}{R_{DS(ON)max}}$$

Where  $I_{OCL}$  is the user-defined average output current limit value,  $R_{DS(ON)max}$  is the resistance value of the low-side FET at the expected maximum FET junction temperature,  $V_{CL}$  is the internal current limit reference voltage and  $T_j$  is the junction temperature of the LM3151/2/3.

Figure 1 illustrates the inductor current waveform. During normal operation, the output current ripple is dictated by the switching of the FETs. The current through the low-side switch,  $I_{valley}$ , is sampled at the end of each switching cycle and compared to the current limit threshold voltage,  $V_{CL}$ . The valley current can be calculated as follows:

$$I_{valley} = I_{OUT} - \frac{\Delta I_L}{2}$$

Where  $I_{OUT}$  is the average output current and  $\Delta I_L$  is the peak-to-peak inductor ripple current.

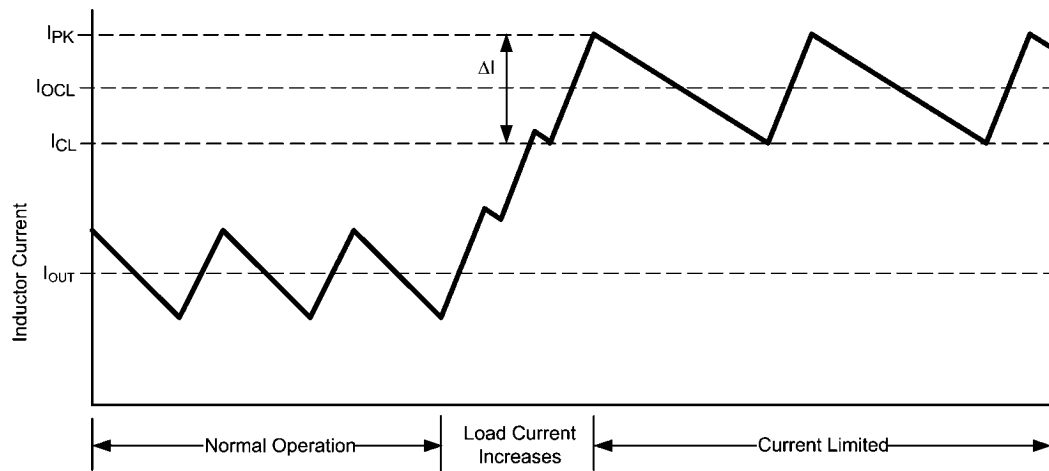
If an overload condition occurs, the current through the low-side switch will increase which will cause the current limit comparator to trigger the logic to skip the next on-time cycle. The IC will then try to recover by checking the valley current during each off-time. If the valley current is greater than or equal to  $I_{CL}$ , then the IC will keep the low-side FET on and allow the inductor current to further decay.

Throughout the whole process, regardless of the load current, the on-time of the controller will stay constant and thereby the positive ripple current slope will remain constant. During each on-time the current ramps up an amount equal to:

$$\Delta I = \frac{(V_{IN} - V_{OUT}) \times t_{ON}}{L}$$

the inductor current is forced to decay following any overload conditions.

The valley current limit feature prevents current runaway conditions due to propagation delays or inductor saturation since



30053212

FIGURE 1. Inductor Current - Current Limit Operation

## Short-Circuit Protection

The LM3151/2/3 will sense a short-circuit on the output by monitoring the output voltage. When the attenuated feedback voltage has fallen below 60% of the reference voltage,  $V_{ref} \times 0.6$  ( $\approx 0.36V$ ), short-circuit mode of operation will start. During short-circuit operation, the SS pin is discharged and the output voltage will fall to 0V. The SS pin voltage,  $V_{SS}$ , is then ramped back up at the rate determined by the SS capacitor and  $I_{SS}$  until  $V_{SS}$  reaches 0.7V. During this re-ramp phase, if the short-circuit fault is still present the output current will be equal to the set current limit. Once the soft-start voltage reaches 0.7V the output voltage is sensed again and if the attenuated  $V_{FB}$  is still below  $V_{ref} \times 0.6$  then the SS pin is discharged again and the cycle repeats until the short-circuit fault is removed.

## Soft-Start

The soft-start (SS) feature allows the regulator to gradually reach a steady-state operating point, which reduces start-up stresses and current surges. At turn-on, while VCC is below the under-voltage threshold, the SS pin is internally grounded and  $V_{OUT}$  is held at 0V. The SS capacitor is used to slowly ramp  $V_{FB}$  from 0V to its final output voltage as programmed by the internal resistor divider. By changing the soft-start capacitor value, the duration of start-up can be changed accordingly. The start-up time can be calculated using the following equation:

$$t_{SS} = \frac{V_{ref} \times C_{SS}}{I_{SS}}$$

Where  $t_{SS}$  is measured in seconds,  $V_{ref} = 0.6V$  and  $I_{SS}$  is the soft-start pin source current, which is typically  $7.7 \mu A$  (refer to electrical characteristics table).

An internal switch grounds the SS pin if VCC is below the under-voltage lockout threshold, if a thermal shutdown occurs, or if the EN pin is grounded. By using an externally controlled switch, the output voltage can be shut off by grounding the SS pin.

During startup the LM3151/2/3 will operate in diode emulation mode, where the low-side gate LG will turn off and remain off when the inductor current falls to zero. Diode emulation mode allows for start up into a pre-biased output voltage. When soft-start is greater than 0.7V, the LM3151/2/3 will remain in continuous conduction mode. During diode emulation mode at current limit the low-gate will remain off when the inductor current is off.

The soft start time should be greater than the rise time specified by,

$$t_{SS} \geq (V_{OUT} \times C_{OUT}) / (I_{OCL} - I_{OUT})$$

## Enable/Shutdown

The EN pin can be activated by either leaving the pin floating due to an internal pull up resistor to VIN or by applying a logic high signal to the EN pin of 1.26V or greater. The LM3151/2/3 can be remotely shut down by taking the EN pin below 1.02V. Low quiescent shutdown is achieved when  $V_{EN}$  is less than 0.4V. During low quiescent shutdown the internal bias circuitry is turned off.

The LM3151/2/3 has certain fault conditions that can trigger shutdown, such as over-voltage protection, current limit, under-voltage lockout, or thermal shutdown. During shutdown, the soft-start capacitor is discharged. Once the fault condition is removed, the soft-start capacitor begins charging, allowing the part to start up in a controlled fashion. In conditions where there may be an open drain connection to the EN pin, it may be necessary to add a 1000 pF bypass capacitor to this pin. This will help decouple noise from the EN pin and prevent false disabling.

## Thermal Protection

The LM3151/2/3 should be operated such that the junction temperature does not exceed the maximum operating junction temperature. An internal thermal shutdown circuit, which activates at 165°C (typical), takes the controller to a low-power reset state by disabling the buck switch and the on-timer, and grounding the SS pin. This feature helps prevent catastrophic failures from accidental device overheating. When the junction temperature falls back below 150°C the SS pin is released and normal operation resumes.

## Design Guide

The design guide provides the equations required to design with the LM3151/2/3 SIMPLE SWITCHER® Controller. WEBENCH® design tool can be used with or in place of this section for a more complete and simplified design process.

### 1. Define Power Supply Operating Conditions

- Maximum and Minimum DC Input voltage
- Maximum Expected Load Current during normal operation

### c. Target Switching Frequency

### 2. Determine which IC Controller to Use

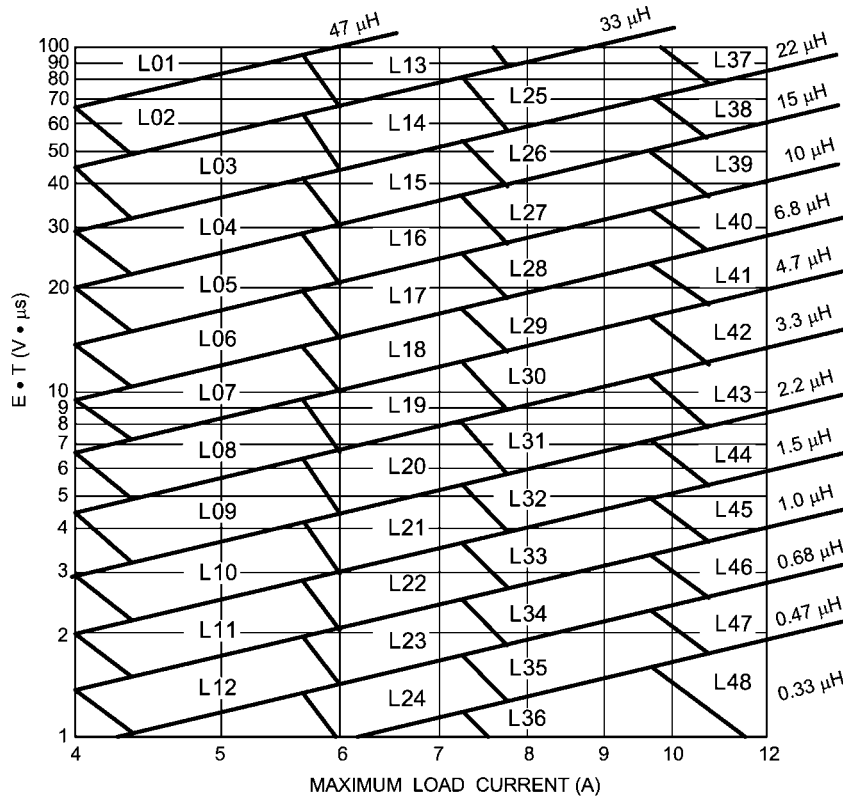
The desired input voltage range will determine which version of the LM3151/2/3 controller will be chosen. The higher switching frequency options allow for physically smaller inductors but efficiency may decrease.

### 3. Determine Inductor Required Using Figure 2

To use the nomograph below calculate the inductor volt-microsecond constant ET from the following formula:

$$ET = (V_{inmax} - V_{OUT}) \times \frac{V_{OUT}}{V_{inmax}} \times \frac{1000}{f_s} \text{ (V} \times \mu\text{s)}$$

Where  $f_s$  is in kHz units. The intersection of the Load Current and the Volt-microseconds lines on the chart below will determine which inductors are capable for use in the design. The chart shows a sample of parts that can be used. The offline calculator tools and WEBENCH® will fully calculate the requirements for the components needed for the design.



30053252

FIGURE 2. Inductor Nomograph

TABLE 1. Inductor Selection Table

Inductor Designator	Inductance ( $\mu\text{H}$ )	Current (A)	Part Name	Vendor
L01	47	7-9		
L02	33	7-9	SER2817H-333KL	COILCRAFT
L03	22	7-9	SER2814H-223KL	COILCRAFT
L04	15	7-9	7447709150	WURTH
L05	10	7-9	RLF12560T-100M7R5	TDK
L06	6.8	7-9	B82477-G4682-M	EPCOS
L07	4.7	7-9	B82477-G4472-M	EPCOS
L08	3.3	7-9	DR1050-3R3-R	COOPER
L09	2.2	7-9	MSS1048-222	COILCRAFT
L10	1.5	7-9	SRU1048-1R5Y	BOURNS
L11	1	7-9	DO3316P-102	COILCRAFT
L12	0.68	7-9	DO3316H-681	COILCRAFT
L13	33	9-12		
L14	22	9-12	SER2918H-223	COILCRAFT
L15	15	9-12	SER2814H-153KL	COILCRAFT
L16	10	9-12	7447709100	WURTH
L17	6.8	9-12	SPT50H-652	COILCRAFT
L18	4.7	9-12	SER1360-472	COILCRAFT
L19	3.3	9-12	MSS1260-332	COILCRAFT
L20	2.2	9-12	DR1050-2R2-R	COOPER
L21	1.5	9-12	DR1050-1R5-R	COOPER
L22	1	9-12	DO3316H-102	COILCRAFT
L23	0.68	9-12		
L24	0.47	9-12		
L25	22	12-15	SER2817H-223KL	COILCRAFT
L26	15	12-15		
L27	10	12-15	SER2814L-103KL	COILCRAFT
L28	6.8	12-15	7447709006	WURTH
L29	4.7	12-15	7447709004	WURTH
L30	3.3	12-15		
L31	2.2	12-15		
L32	1.5	12-15	MLC1245-152	COILCRAFT
L33	1	12-15		
L34	0.68	12-15	DO3316H-681	COILCRAFT
L35	0.47	12-15		
L36	0.33	12-15	DR73-R33-R	COOPER
L37	22	15-		
L38	15	15-	SER2817H-153KL	COILCRAFT
L39	10	15-	SER2814H-103KL	COILCRAFT
L40	6.8	15-		
L41	4.7	15-	SER2013-472ML	COILCRAFT
L42	3.3	15-	SER2013-362L	COILCRAFT
L43	2.2	15-		
L44	1.5	15-	HA3778-AL	COILCRAFT
L45	1	15-	B82477-G4102-M	EPCOS
L46	0.68	15-		
L47	0.47	15-		
L48	0.33	15-		

#### 4. Determine Output Capacitance

Typical hysteretic COT converters similar to the LM3151/2/3 require a certain amount of ripple that is generated across the ESR of the output capacitor and fed back to the error comparator. Emulated Ripple Mode control built into the LM3151/2/3 will recreate a similar ripple signal and thus the requirement for output capacitor ESR will decrease compared to a typical Hysteretic COT converter. The emulated ripple is generated by sensing the voltage signal across the low-side FET and is then compared to the FB voltage at the error comparator input to determine when to initiate the next on-time period.

$$C_{Omin} = 70 / (f_s^2 \times L)$$

The maximum ESR allowed to prevent over-voltage protection during normal operation is:

$$ESR_{max} = (80 \text{ mV} \times L) / ET_{min}$$

$ET_{min}$  is calculated using  $V_{IN-MIN}$

The minimum ESR must meet both of the following criteria:

$$ESR_{min} \geq (15 \text{ mV} \times L) / ET_{max}$$

$$ESR_{min} \geq [ET_{max} / (V_{IN} - V_{OUT})] / C_O$$

$ET_{max}$  is calculated using  $V_{IN-MAX}$ .

Any additional parallel capacitors should be chosen so that their effective impedance will not negatively attenuate the output ripple voltage.

#### 5. MOSFET Selection

The high-side and low-side FETs must have a drain to source ( $V_{DS}$ ) rating of at least  $1.2 \times V_{IN}$ .

The gate drive current from VCC must not exceed the minimum current limit of VCC. The drive current from VCC can be calculated with:

$$I_{VCCdrive} = Q_{gtotal} \times f_s$$

Where,  $Q_{gtotal}$  is the combined total gate charge of the high-side and low-side FETs.

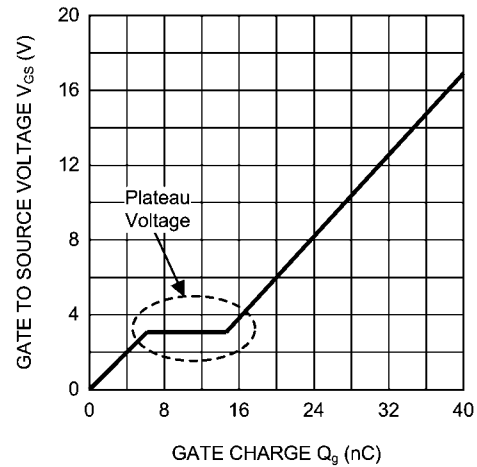
Use the following equations to calculate the current limit,  $I_{CL}$ , as shown in Figure 1.

$$V_{CL}(T_j) = V_{CL} \times [1 + 3.3 \times 10^{-3} \times (T_j - 27)]$$

$$I_{CL}(T_j) = \frac{V_{CL}(T_j)}{R_{DS(ON)max}}$$

$T_j$  is the junction temperature of the LM3151/2/3.

The plateau voltage of the FET  $V_{GS}$  vs  $Q_g$  curve, as shown in Figure 3 must be less than  $V_{CC} - 750 \text{ mV}$ .



30053281

FIGURE 3. Typical MOSFET Gate Charge Curve

See following design example for estimated power dissipation calculation.

#### 6. Calculate Input Capacitance

The main parameters for the input capacitor are the voltage rating, which must be greater than or equal to the maximum DC input voltage of the power supply, and its rms current rating. The maximum rms current is approximately 50% of the maximum load current.

$$C_{IN} = \frac{I_{omax} \times D \times (1-D)}{f_s \times \Delta V_{IN-MAX}}$$

Where,  $\Delta V_{IN-MAX}$  is the maximum allowable input ripple voltage. A good starting point for the input ripple voltage is 5% of  $V_{IN}$ .

When using low ESR ceramic capacitors on the input of the LM3151/2/3 a resonant circuit can be formed with the impedance of the input power supply and parasitic impedance of long leads/PCB traces to the LM3151/2/3 input capacitors. It is recommended to use a damping capacitor under these circumstances, such as aluminum electrolytic that will prevent ringing on the input. The damping capacitor should be chosen to be approximately 5 times greater than the parallel ceramic capacitors combination. The total input capacitance should be greater than 10 times the input inductance of the power supply leads/pcb trace. The damping capacitor should also be chosen to handle its share of the rms input current which is shared proportionately with the parallel impedance of the ceramic capacitors and aluminum electrolytic at the LM3151/2/3 switching frequency.

The  $C_{BYP}$  capacitor should be placed directly at the VIN pin. The recommended value is 0.1  $\mu\text{F}$ .

#### 7. Calculate Soft-Start Capacitor

$$C_{SS} = \frac{I_{SS} \times t_{SS}}{V_{ref}}$$

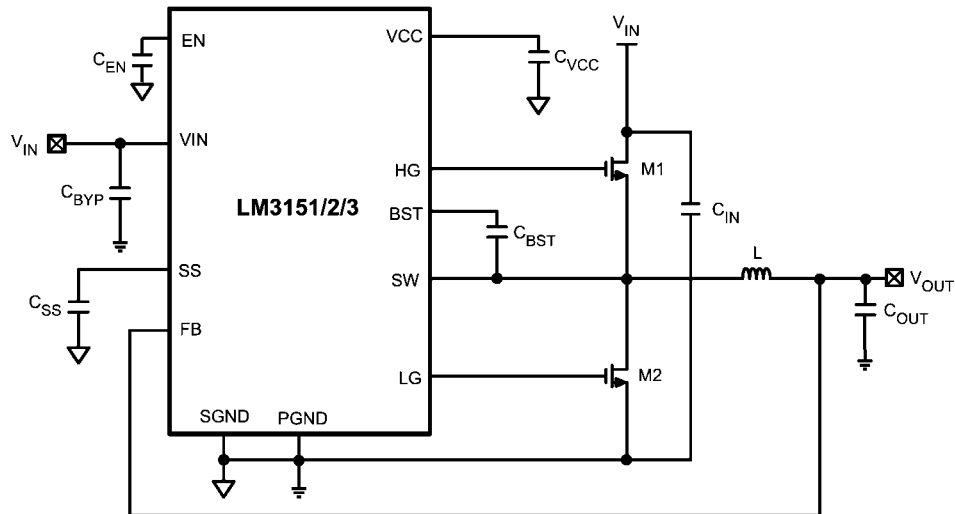
Where  $t_{SS}$  is the soft-start time in seconds and  $V_{ref} = 0.6\text{V}$ .

### 8. $C_{VCC}$ , and $C_{BST}$ and $C_{EN}$

$C_{VCC}$  should be placed directly at the VCC pin with a recommended value of 1  $\mu\text{F}$  to 2.2  $\mu\text{F}$ . For input voltage ranges that include voltages below 8V a 1  $\mu\text{F}$  capacitor must be used for  $C_{VCC}$ .  $C_{BST}$  creates a voltage used to drive the gate of the

high-side FET. It is charged during the SW off-time. The recommended value for  $C_{BST}$  is 0.47  $\mu\text{F}$ . The EN bypass capacitor,  $C_{EN}$ , recommended value is 1000 pF when driving the EN pin from open drain type of signal.

## Design Example



30053261

FIGURE 4. Design Example Schematic

### 1. Define Power Supply Operating Conditions

- $V_{OUT} = 3.3\text{V}$
- $V_{IN-MIN} = 6\text{V}$ ,  $V_{IN-TYP} = 12\text{V}$ ,  $V_{IN-MAX} = 24\text{V}$
- Typical Load Current = 12A, Max Load Current = 15A
- Soft-Start time  $t_{SS} = 5\text{ms}$

### 2. Determine which IC Controller to Use

The LM3151 and LM3152 allow for the full input voltage range. However, from buck converter basic theory, the higher switching frequency will allow for a smaller inductor. Therefore, the LM3152-3.3 500 kHz part is chosen so that a smaller inductor can be used.

### 3. Determine Inductor Required

- $ET = (24 - 3.3) \times (3.3/24) \times (1000/500) = 5.7\text{ V}\mu\text{s}$
- From the inductor nomograph a 12A load and 5.7  $\text{V}\mu\text{s}$  calculation corresponds to a L44 type of inductor.
- Using the inductor designator L44 in Table 1 the Coilcraft HA3778-AL 1.65  $\mu\text{H}$  inductor is chosen.

### 4. Determine Output Capacitance

The voltage rating on the output capacitor should be greater than or equal to the output voltage. As a rule of thumb most capacitor manufacturers suggests not to exceed 90% of the capacitor rated voltage. In the case of multilayer ceramics the capacitance will tend to decrease dramatically as the applied voltage is increased towards the capacitor rated voltage. The capacitance can decrease by as much as 50% when the applied voltage is only 30% of the rated voltage. The chosen capacitor should also be able to handle the rms current which is equal to:

$$I_{rmsco} = I_{OUT} \times \frac{r}{\sqrt{12}}$$

For this design the chosen ripple current ratio,  $r = 0.3$ , represents the ratio of inductor peak-to-peak current to load current. A good starting point for ripple ratio is 0.3 but it is acceptable to choose  $r$  between 0.25 to 0.5. The nomographs in this datasheet all use 0.3 as the ripple current ratio.

$$I_{rmsco} = 12 \times \frac{0.3}{\sqrt{12}}$$

$$I_{rmsco} = 1\text{A}$$

$$t_{ON} = (3.3\text{V}/12\text{V}) / 500\text{ kHz} = 550\text{ ns}$$

Minimum output capacitance is:

$$C_{Omin} = 70 / (f_s^2 \times L)$$

$$C_{Omin} = 70 / (500\text{ kHz}^2 \times 1.65\text{ }\mu\text{H}) = 169\text{ }\mu\text{F}$$

The maximum ESR allowed to prevent over-voltage protection during normal operation is:

$$ESR_{max} = (80\text{ mV} \times L) / ET$$

$$ESR_{max} = (80\text{ mV} \times 1.65\text{ }\mu\text{H}) / 5.7\text{ V}\mu\text{s}$$

$$ESR_{max} = 23\text{ m}\Omega$$

The minimum ESR must meet both of the following criteria:

$$ESR_{min} \geq (15\text{ mV} \times L) / ET$$

$$ESR_{\min} \geq [ET / (V_{IN} - V_{OUT})] / C_O$$

$$ESR_{\min} \geq (15 \text{ mV} \times 1.65 \text{ } \mu\text{H}) / 5.7 \text{ V } \mu\text{s} = 4.3 \text{ m}\Omega$$

$$ESR_{\min} \geq [5.7 \text{ V } \mu\text{s} / (12 - 3.3)] / 169 \text{ } \mu\text{F} = 3.9 \text{ m}\Omega$$

Based on the above criteria two 150  $\mu\text{F}$  polymer aluminum capacitors with a ESR = 12 m $\Omega$  each for a effective ESR in parallel of 6 m $\Omega$  was chosen from Panasonic. The part number is EEF-UE0J151P.

### 5. MOSFET Selection

The LM3151/2/3 are designed to drive N-channel MOSFETs. For a maximum input voltage of 24V we should choose N-channel MOSFETs with a maximum drain-source voltage,  $V_{DS}$ , greater than  $1.2 \times 24\text{V} = 28.8\text{V}$ . FETs with maximum  $V_{DS}$  of 30V will be the first option. The combined total gate charge  $Q_{g\text{total}}$  of the high-side and low-side FET should satisfy the following:

$$Q_{g\text{total}} \leq I_{VCC} / f_s$$

$$Q_{g\text{total}} \leq 65 \text{ mA} / 500 \text{ kHz}$$

$$Q_{g\text{total}} \leq 130 \text{ nC}$$

Where  $I_{VCC}$  is the minimum current limit of VCC, over the temperature range, specified in the electrical characteristics table. The MOSFET gate charge  $Q_g$  is gathered from reading the  $V_{GS}$  vs  $Q_g$  curve of the MOSFET datasheet at the  $V_{GS} = 5\text{V}$  for the high-side, M1, MOSFET and  $V_{GS} = 6\text{V}$  for the low-side, M2, MOSFET.

The Renesas MOSFET RJK0305DPB has a gate charge of 10 nC at  $V_{GS} = 5\text{V}$ , and 12 nC at  $V_{GS} = 6\text{V}$ . This combined gate charge for a high-side, M1, and low-side, M2, MOSFET  $12 \text{ nC} + 10 \text{ nC} = 22 \text{ nC}$  is less than 130 nC calculated  $Q_{g\text{total}}$ .

The calculated MOSFET power dissipation must be less than the max allowed power dissipation, P<sub>dmax</sub>, as specified in the MOSFET datasheet. An approximate calculation of the FET power dissipated Pd, of the high-side and low-side FET is given by:

#### High-Side MOSFET

$$P_{\text{cond}} = I_{\text{out}}^2 \times R_{\text{DS(ON)}} \times D$$

$$P_{\text{sw}} = \frac{1}{2} \times V_{\text{in}} \times I_{\text{out}} \times Q_{\text{gd}} \times f_s \times \left( \frac{8.5}{V_{\text{CC}} - V_{\text{th}}} + \frac{6.8}{V_{\text{th}}} \right)$$

$$P_{\text{dh}} = P_{\text{cond}} + P_{\text{sw}}$$

$$P_{\text{cond}} = 12^2 \times 0.01 \times 0.275 = 0.396\text{W}$$

$$P_{\text{sw}} = \frac{1}{2} \times 12 \times 12 \times 1.5 \text{ nC} \times 500 \text{ kHz} \times \left( \frac{8.5}{6 - 2.5} + \frac{6.8}{2.5} \right) = 0.278\text{W}$$

$$P_{\text{dh}} = 0.396 + 0.278 = 0.674\text{W}$$

The max power dissipation of the RJK0305DPB is rated as 45W for a junction temperature that is 125°C higher than the case temperature and a thermal resistance from the FET junction to case,  $\theta_{\text{JC}}$ , of 2.78°C/W. When the FET is mounted onto the PCB, the PCB will have some additional thermal resistance such that the total system thermal resistance of the FET package and the PCB,  $\theta_{\text{JA}}$ , is typically in the range of 30°C/W for this type of FET package. The max power dissipation, P<sub>dmax</sub>, with the FET mounted onto a PCB with a 125°C junc-

tion temperature rise above ambient temperature and  $\theta_{\text{JA}} = 30^\circ\text{C/W}$ , can be estimated by:

$$P_{\text{dmax}} = 125^\circ\text{C} / 30^\circ\text{C/W} = 4.1\text{W}$$

The system calculated P<sub>dh</sub> of 0.674W is much less than the FET P<sub>dmax</sub> of 4.1W and therefore the RJK0305DPB max allowable power dissipation criteria is met.

#### Low-Side MOSFET

Primary loss is conduction loss given by:

$$P_{\text{dl}} = I_{\text{out}}^2 \times R_{\text{DS(ON)}} \times (1-D) = 122 \times 0.01 \times (1-0.275) = 1\text{W}$$

P<sub>dl</sub> is also less than the P<sub>dmax</sub> specified on the RJK0305DPB MOSFET datasheet.

However, it is not always necessary to use the same MOSFET for both the high-side and low-side. For most applications it is necessary to choose the high-side MOSFET with the lowest gate charge and the low-side MOSFET is chosen for the lowest allowed  $R_{\text{DS(ON)}}$ . The plateau voltage of the FET  $V_{\text{GS}}$  vs  $Q_g$  curve must be less than  $V_{\text{CC}} - 750 \text{ mV}$ .

The current limit,  $I_{\text{OCL}}$ , is calculated by estimating the  $R_{\text{DS(ON)}}$  of the low-side FET at the maximum junction temperature of 100°C. Then the following calculation of  $I_{\text{OCL}}$  is:

$$I_{\text{OCL}} = I_{\text{CL}} + \Delta I_L / 2$$

$$I_{\text{CL}} = 200 \text{ mV} / 0.014 = 14.2\text{A}$$

$$I_{\text{OCL}} = 14.2\text{A} + 3.6 / 2 = 16\text{A}$$

### 6. Calculate Input Capacitance

The input capacitor should be chosen so that the voltage rating is greater than the maximum input voltage which for this example is 24V. Similar to the output capacitor, the voltage rating needed will depend on the type of capacitor chosen. The input capacitor should also be able to handle the input rms current which is approximately  $0.5 \times I_{\text{OUT}}$ . For this example the rms input current is approximately  $0.5 \times 12\text{A} = 6\text{A}$ .

The minimum capacitance with a maximum 5% input ripple  $\Delta V_{\text{IN-MAX}} = (0.05 \times 12) = 0.6\text{V}$ :

$$C_{\text{IN}} = [12 \times 0.275 \times (1-0.275)] / [500 \text{ kHz} \times 0.6] = 8 \text{ } \mu\text{F}$$

To handle the large input rms current 2 ceramic capacitors are chosen at 10  $\mu\text{F}$  each with a voltage rating of 50V and case size of 1210, that can handle 3A of rms current each. A 100  $\mu\text{F}$  aluminum electrolytic is chosen to help dampen input ringing.

$C_{\text{BYP}} = 0.1 \text{ } \mu\text{F}$  ceramic with a voltage rating greater than maximum  $V_{\text{IN}}$

### 7. Calculate Soft-Start Capacitor

The soft start-time should be greater than the input voltage rise time and also satisfy the following equality to maintain a smooth transition of the output voltage to the programmed regulation voltage during startup.

$$t_{\text{SS}} \geq (V_{\text{OUT}} \times C_{\text{OUT}}) / (I_{\text{OCL}} - I_{\text{OUT}})$$

$$5 \text{ ms} > (3.3\text{V} \times 300 \text{ } \mu\text{F}) / (1.2 \times 12\text{A} - 12\text{A})$$

$$5 \text{ ms} > 0.412 \text{ ms}$$

The desired soft-start time,  $t_{\text{SS}}$ , of 5 ms satisfies the equality as shown above. Therefore, the soft-start capacitor,  $C_{\text{SS}}$ , is calculated as:

$$C_{\text{SS}} = (7.7 \text{ } \mu\text{A} \times 5 \text{ ms}) / 0.6\text{V} = 0.064 \text{ } \mu\text{F}$$

Let  $C_{SS} = 0.068 \mu\text{F}$ , which is the next closest standard value. This should be a ceramic cap with a voltage rating greater than 10V.

#### 8. $C_{VCC}$ , $C_{EN}$ , and $C_{BST}$

$C_{VCC} = 1 \mu\text{F}$  ceramic with a voltage rating greater than 10V

$C_{EN} = 1000 \text{ pF}$  ceramic with a voltage rating greater than 10V

$C_{BST} = 0.47 \mu\text{F}$  ceramic with a voltage rating greater than 10V

## Bill of Materials

Designator	Value	Parameters	Manufacturer	Part Number
$C_{BST}$	0.47 $\mu\text{F}$	Ceramic, X7R, 16V, 10%	TDK	C2012X7R1C474K
$C_{BYP}$	0.1 $\mu\text{F}$	Ceramic, X7R, 50V, 10%	TDK	C2012X7R1H104K
$C_{EN}$	1000 pF	Ceramic, X7R, 50V, 10%	TDK	C1608X7R1H102K
$C_{IN1}$	100 $\mu\text{F}$	AL, EEV-FK, 63V, 20%	Panasonic	EEV-FK1J101P
$C_{IN2}$ , $C_{IN3}$	10 $\mu\text{F}$	Ceramic, X5R, 35V, 10%	Taiyo Yuden	GMK325BJ106KN-T
$C_{OUT1}$ , $C_{OUT2}$	150 $\mu\text{F}$	AL, UE, 6.3V, 20%	Panasonic	EEF-UE0J151R
$C_{SS}$	0.068 $\mu\text{F}$	Ceramic, 16V, 10%		0603YC683KAT2A
$C_{VCC}$	1 $\mu\text{F}$	Ceramic, X7R, 16V, 10%	Kemet	C0805C105K4RACTU
L1	1.65 $\mu\text{H}$	Shielded Drum Core, A, 2.53 m $\Omega$	Coilcraft Inc.	HA3778-AL
M1, M2	30V	8 nC, $R_{DS(ON)}$ @4.5V = 10 m $\Omega$	Renesas	RJK0305DB
U1			National Semiconductor	LM3152MH-3.3



## PCB Layout Considerations

It is good practice to layout the power components first, such as the input and output capacitors, FETs, and inductor. The first priority is to make the loop between the input capacitors and the source of the low side FET to be very small and tie the grounds of each directly to each other and then to the ground plane through vias. As shown in the figure below, when the input cap ground is tied directly to the source of the low side FET, parasitic inductance in the power path, along with noise coupled into the ground plane, are reduced.

The switch node is the next item of importance. The switch node should be made only as large as required to handle the load current. There are fast voltage transitions occurring in the switch node at a high frequency, and if the switch node is made too large it may act as an antenna and couple switching noise into other parts of the circuit. For high power designs it is recommended to use a multi-layer board. The FET's are going to be the largest heat generating devices in the design, and as such, care should be taken to remove the heat. On multi layer boards using exposed-pad packages for the FET's such as the power-pak SO-8, vias should be used under the FETs to the same plane on the interior layers to help dissipate the heat and cool the FETs. For the typical single FET Power-Pak type FETs the high-side FET DAP is  $V_{IN}$ . The  $V_{IN}$  plane should be copied to the other interior layers to the bottom layer for maximum heat dissipation. Likewise, the DAP of the low-side FET is connected to the SW node and it's shape should be duplicated to the interior layers down to the bottom layer for maximum heat dissipation.

See the Evaluation Board application note AN-1900 for an example of a typical multilayer board layout, and the Demonstration Board Reference Design App Note for a typical 2 layer board layout. Each design allows for single sided component mounting.

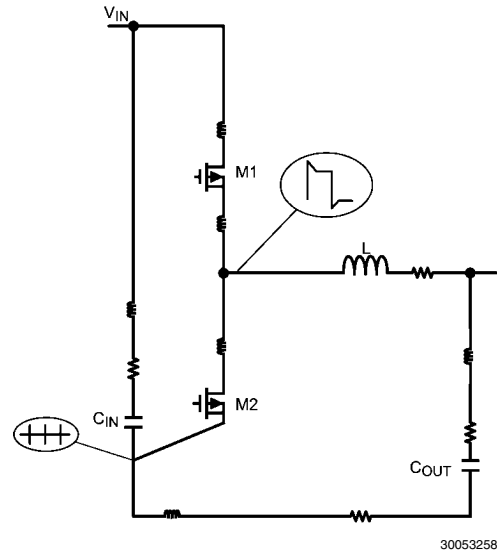


FIGURE 5. Schematic of Parasitics

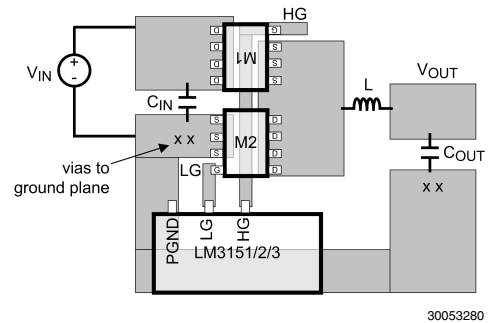
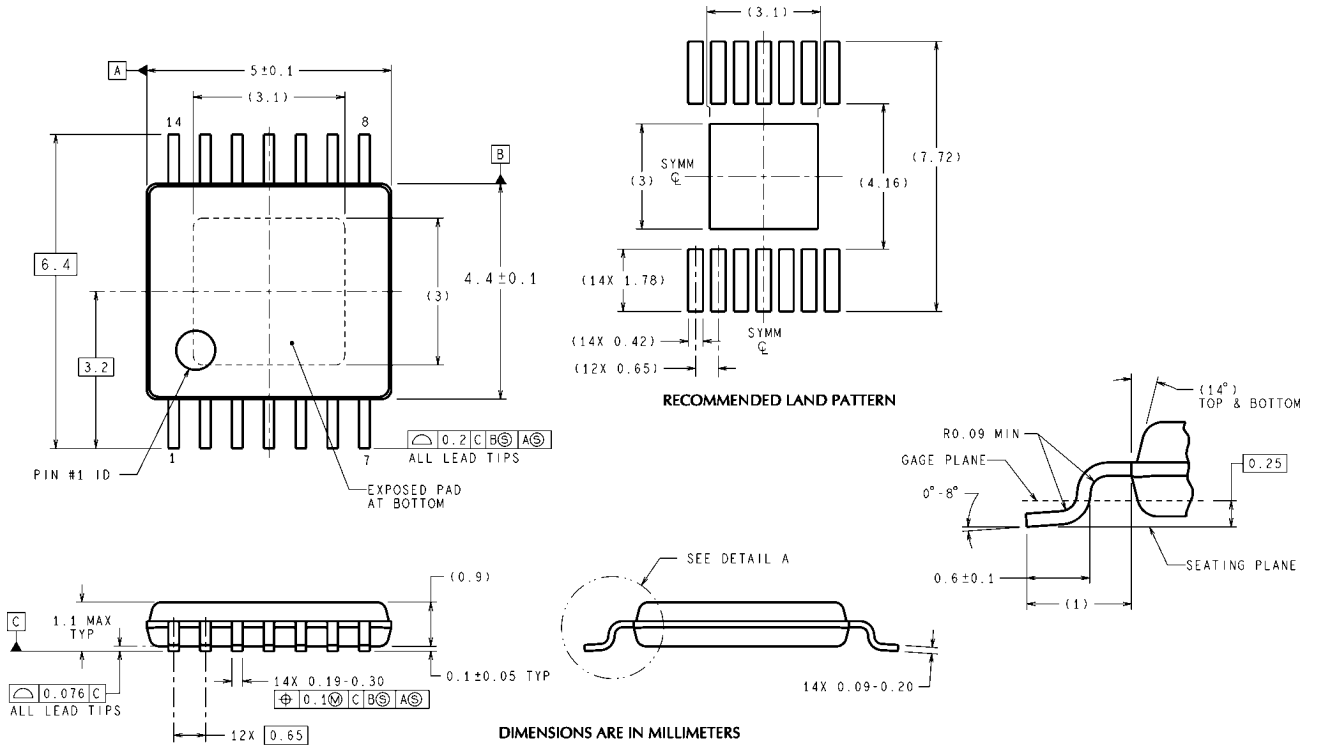


FIGURE 6. PCB Placement of Power Stage

**Physical Dimensions** inches (millimeters) unless otherwise noted



**14-Lead eTSSOP Package  
NS Package Number MXA14A**

MXA14A (Rev A)

# Notes

LM3151/LM3152/LM3153

## Notes

For more National Semiconductor product information and proven design tools, visit the following Web sites at:

Products		Design Support	
Amplifiers	<a href="http://www.national.com/amplifiers">www.national.com/amplifiers</a>	WEBENCH	<a href="http://www.national.com/webench">www.national.com/webench</a>
Audio	<a href="http://www.national.com/audio">www.national.com/audio</a>	Analog University	<a href="http://www.national.com/AU">www.national.com/AU</a>
Clock Conditioners	<a href="http://www.national.com/timing">www.national.com/timing</a>	App Notes	<a href="http://www.national.com/appnotes">www.national.com/appnotes</a>
Data Converters	<a href="http://www.national.com/adc">www.national.com/adc</a>	Distributors	<a href="http://www.national.com/contacts">www.national.com/contacts</a>
Displays	<a href="http://www.national.com/displays">www.national.com/displays</a>	Green Compliance	<a href="http://www.national.com/quality/green">www.national.com/quality/green</a>
Ethernet	<a href="http://www.national.com/ethernet">www.national.com/ethernet</a>	Packaging	<a href="http://www.national.com/packaging">www.national.com/packaging</a>
Interface	<a href="http://www.national.com/interface">www.national.com/interface</a>	Quality and Reliability	<a href="http://www.national.com/quality">www.national.com/quality</a>
LVDS	<a href="http://www.national.com/lvds">www.national.com/lvds</a>	Reference Designs	<a href="http://www.national.com/refdesigns">www.national.com/refdesigns</a>
Power Management	<a href="http://www.national.com/power">www.national.com/power</a>	Feedback	<a href="http://www.national.com/feedback">www.national.com/feedback</a>
Switching Regulators	<a href="http://www.national.com/switchers">www.national.com/switchers</a>		
LDOs	<a href="http://www.national.com/lido">www.national.com/lido</a>		
LED Lighting	<a href="http://www.national.com/led">www.national.com/led</a>		
PowerWise	<a href="http://www.national.com/powerwise">www.national.com/powerwise</a>		
Serial Digital Interface (SDI)	<a href="http://www.national.com/sdi">www.national.com/sdi</a>		
Temperature Sensors	<a href="http://www.national.com/tempsensors">www.national.com/tempsensors</a>		
Wireless (PLL/VCO)	<a href="http://www.national.com/wireless">www.national.com/wireless</a>		

THE CONTENTS OF THIS DOCUMENT ARE PROVIDED IN CONNECTION WITH NATIONAL SEMICONDUCTOR CORPORATION ("NATIONAL") PRODUCTS. NATIONAL MAKES NO REPRESENTATIONS OR WARRANTIES WITH RESPECT TO THE ACCURACY OR COMPLETENESS OF THE CONTENTS OF THIS PUBLICATION AND RESERVES THE RIGHT TO MAKE CHANGES TO SPECIFICATIONS AND PRODUCT DESCRIPTIONS AT ANY TIME WITHOUT NOTICE. NO LICENSE, WHETHER EXPRESS, IMPLIED, ARISING BY ESTOPPEL OR OTHERWISE, TO ANY INTELLECTUAL PROPERTY RIGHTS IS GRANTED BY THIS DOCUMENT.

TESTING AND OTHER QUALITY CONTROLS ARE USED TO THE EXTENT NATIONAL DEEMS NECESSARY TO SUPPORT NATIONAL'S PRODUCT WARRANTY. EXCEPT WHERE MANDATED BY GOVERNMENT REQUIREMENTS, TESTING OF ALL PARAMETERS OF EACH PRODUCT IS NOT NECESSARILY PERFORMED. NATIONAL ASSUMES NO LIABILITY FOR APPLICATIONS ASSISTANCE OR BUYER PRODUCT DESIGN. BUYERS ARE RESPONSIBLE FOR THEIR PRODUCTS AND APPLICATIONS USING NATIONAL COMPONENTS. PRIOR TO USING OR DISTRIBUTING ANY PRODUCTS THAT INCLUDE NATIONAL COMPONENTS, BUYERS SHOULD PROVIDE ADEQUATE DESIGN, TESTING AND OPERATING SAFEGUARDS.

EXCEPT AS PROVIDED IN NATIONAL'S TERMS AND CONDITIONS OF SALE FOR SUCH PRODUCTS, NATIONAL ASSUMES NO LIABILITY WHATSOEVER, AND NATIONAL DISCLAIMS ANY EXPRESS OR IMPLIED WARRANTY RELATING TO THE SALE AND/OR USE OF NATIONAL PRODUCTS INCLUDING LIABILITY OR WARRANTIES RELATING TO FITNESS FOR A PARTICULAR PURPOSE, MERCHANTABILITY, OR INFRINGEMENT OF ANY PATENT, COPYRIGHT OR OTHER INTELLECTUAL PROPERTY RIGHT.

### LIFE SUPPORT POLICY

**NATIONAL'S PRODUCTS ARE NOT AUTHORIZED FOR USE AS CRITICAL COMPONENTS IN LIFE SUPPORT DEVICES OR SYSTEMS WITHOUT THE EXPRESS PRIOR WRITTEN APPROVAL OF THE CHIEF EXECUTIVE OFFICER AND GENERAL COUNSEL OF NATIONAL SEMICONDUCTOR CORPORATION.** As used herein:

Life support devices or systems are devices which (a) are intended for surgical implant into the body, or (b) support or sustain life and whose failure to perform when properly used in accordance with instructions for use provided in the labeling can be reasonably expected to result in a significant injury to the user. A critical component is any component in a life support device or system whose failure to perform can be reasonably expected to cause the failure of the life support device or system or to affect its safety or effectiveness.

National Semiconductor and the National Semiconductor logo are registered trademarks of National Semiconductor Corporation. All other brand or product names may be trademarks or registered trademarks of their respective holders.

Copyright© 2008 National Semiconductor Corporation

For the most current product information visit us at [www.national.com](http://www.national.com)



**National Semiconductor  
Americas Technical  
Support Center**  
Email: [support@nsc.com](mailto:support@nsc.com)  
Tel: 1-800-272-9959

**National Semiconductor Europe  
Technical Support Center**  
Email: [europe.support@nsc.com](mailto:europe.support@nsc.com)  
German Tel: +49 (0) 180 5010 771  
English Tel: +44 (0) 870 850 4288

**National Semiconductor Asia  
Pacific Technical Support Center**  
Email: [ap.support@nsc.com](mailto:ap.support@nsc.com)

**National Semiconductor Japan  
Technical Support Center**  
Email: [jpn.feedback@nsc.com](mailto:jpn.feedback@nsc.com)